

Structural screw guide for 45° and 60° skewed installations

The **GSCREW** screw guide assists with the installation of any structural screws with a diameter between 8 and 12 mm with a skew angle of 45° to 60°.

The screw guide is suitable for the installation of fully threaded screws or double threaded screws in structural timber, LVL, glulam or CLT applications or for fastening roof insulation, where 45° or 60° angled installations are common. However, it can also be used for any type of application as long as the screw is longer than 100 mm for a 45° configuration and longer than 140 mm for a 60° configuration.

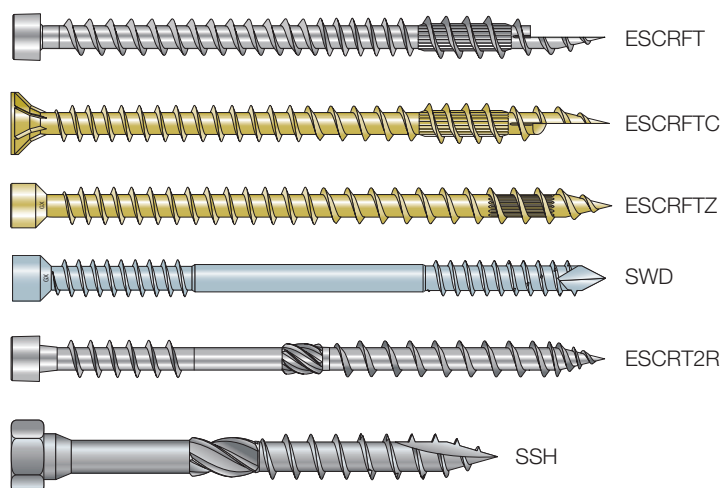
This screw guide allows for easy installation of the screws at the required angle.

The guide is available in 2 models :

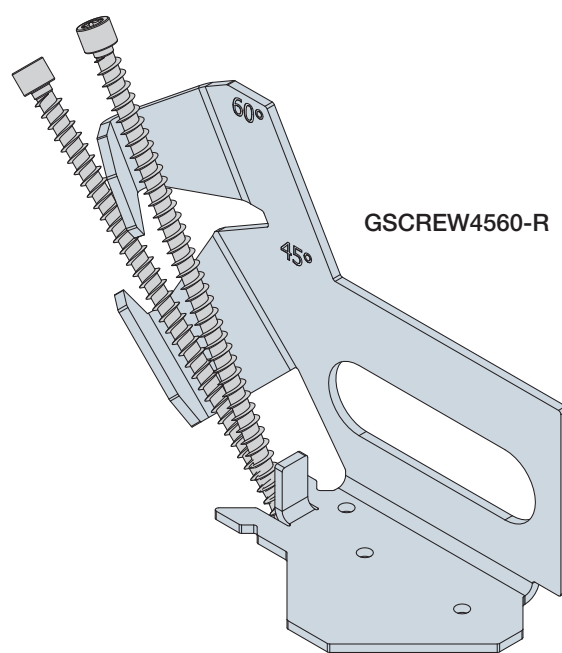
- **GSCREW4560-R** for right handed installer (right hand on screwdriver and left hand on screw guide)
- **GSCREW4560-L** for left handed installer (left hand on screwdriver and right hand on screw guide)

Compatible screws:

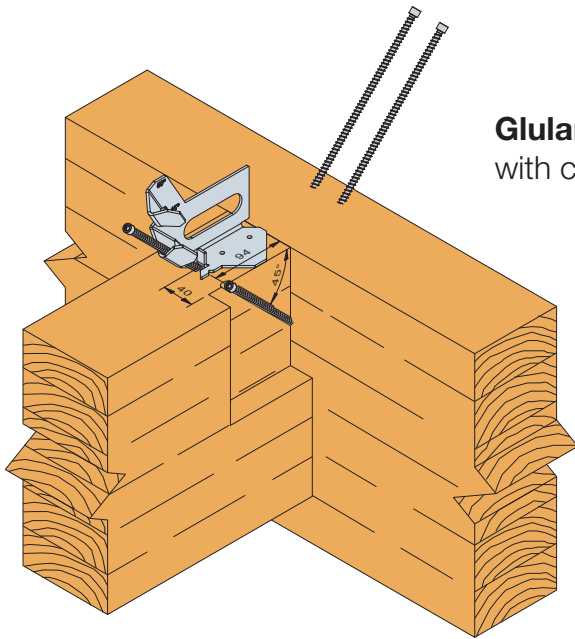
Installation angle	Minimum screw length	
	Ø8, Ø10 and Ø12	SSH Ø12
45°	100 mm	120 mm
60°	140 mm	160 mm



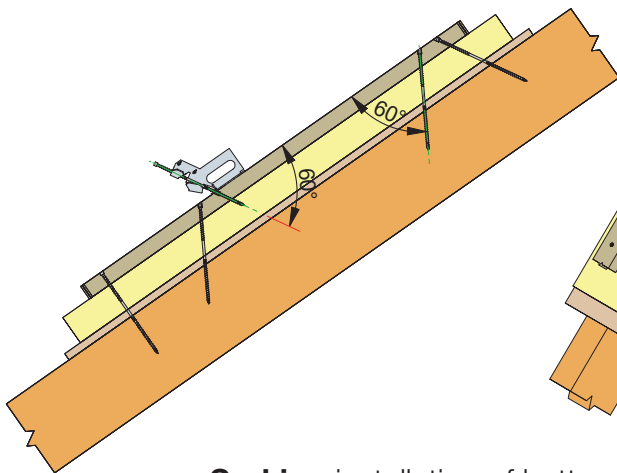
Example of skewed installation - GSCREW4560-R



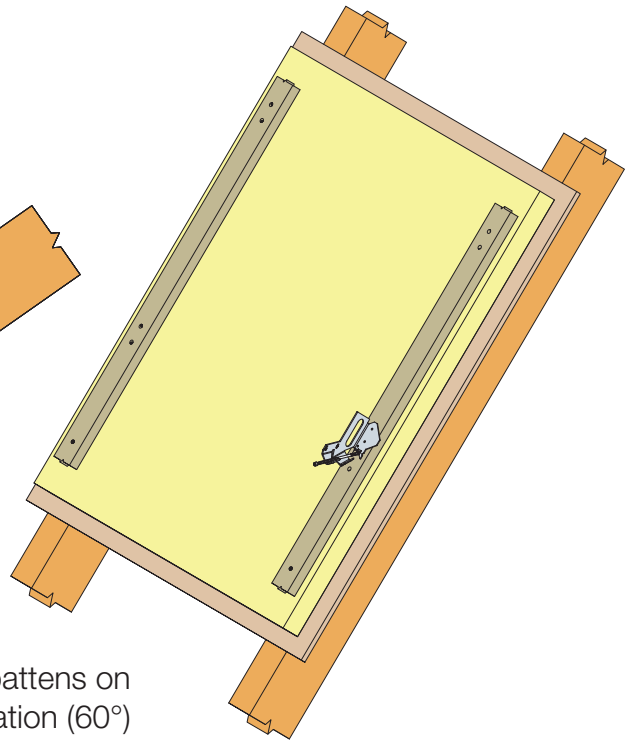
Installation examples:



Glulam joist on beam connection with crossed screws (45°)



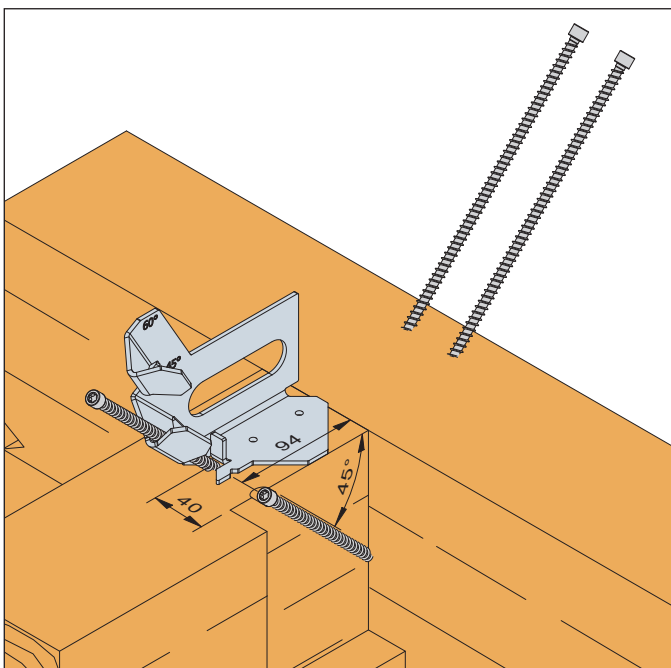
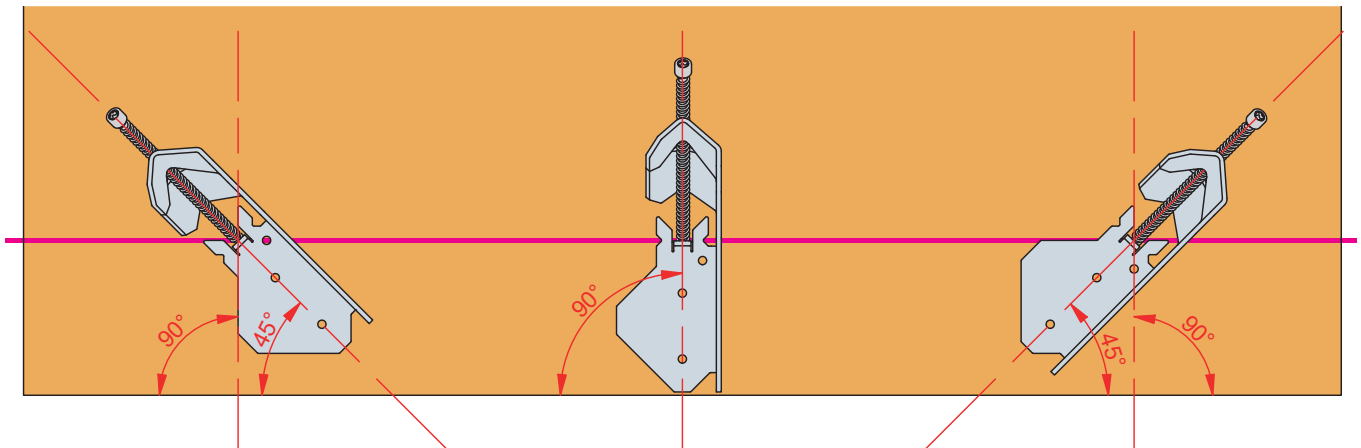
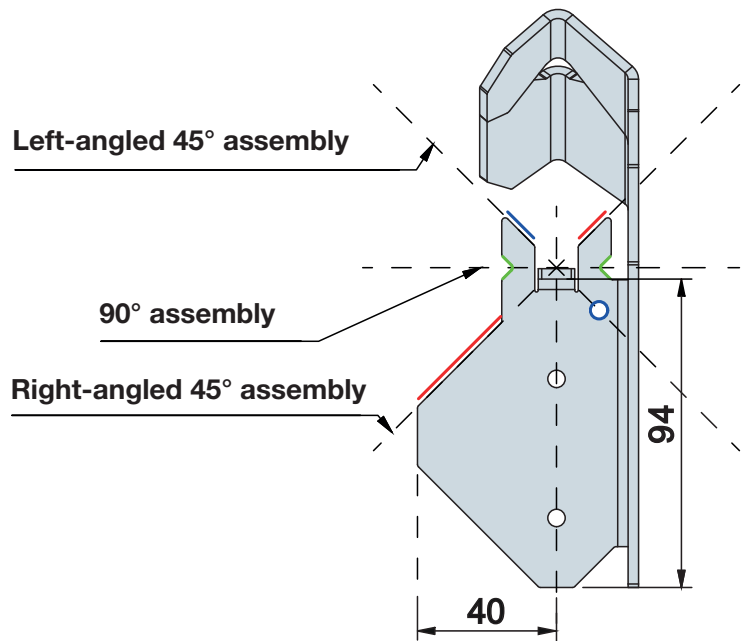
Sarking installation of battens on roof insulation (60°)



CLT assembly of two floor panels (45°)

How to use:

The blue, green or red markers should be placed on the pink line «chalk line/plotter on site» parallel to the support.



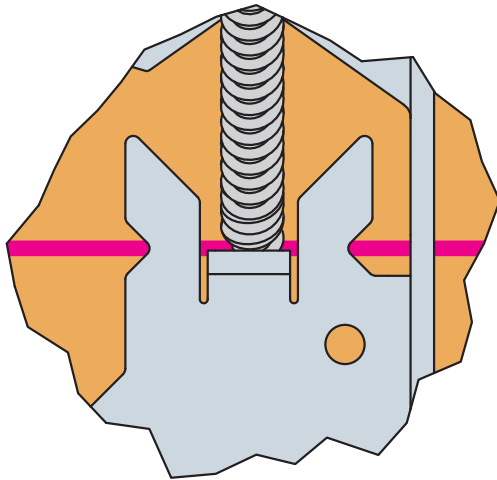
For ESCRFTC8x240 and ESCRFTZ8X240 screws.

When the ESCRFTC8x240 or ESCRFTZ8x240 are used for joist to header 45° assembly with pair of screws, the edge of the screw guide (40 and 94 mm) are useful.

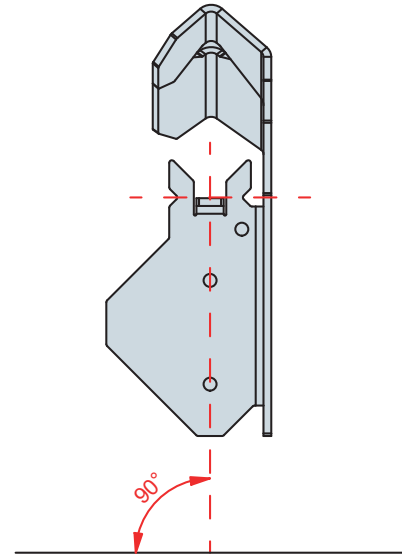
The lateral edge (40 mm) correspond to the space between 2 screws or to the edge of timber.

The longitudinal edge (94 mm) correspond to the distance between the screw insertion point and the end of the joist.

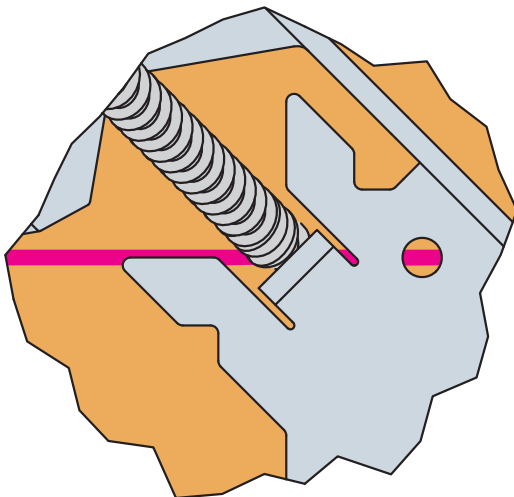
90° assembly



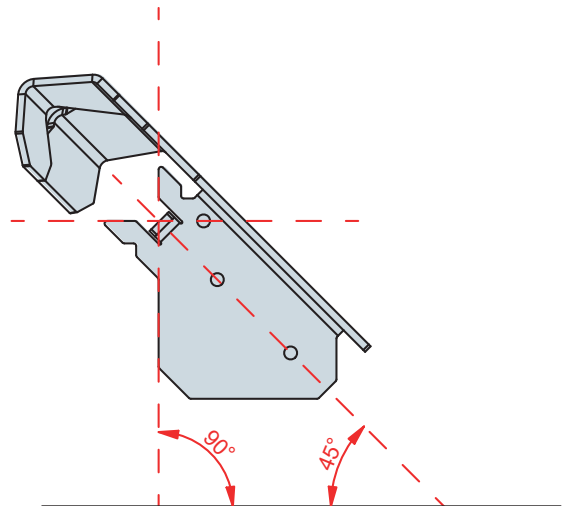
Parallel to the carrier passing through the 2 notches,
Perpendicular to the carrier passing through the 2 holes.



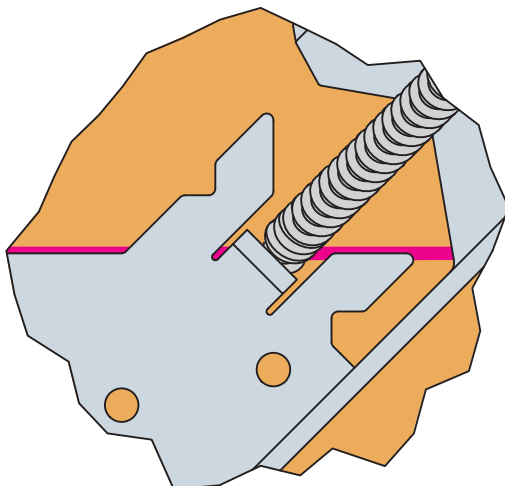
Left-angled 45° assembly



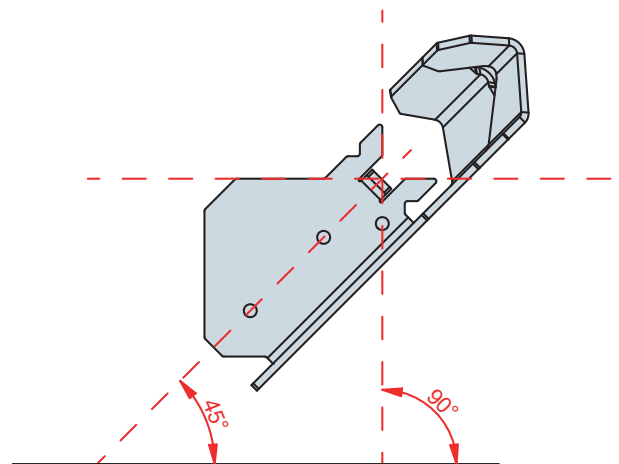
Rotated at 45° : Alignement going through
the holes and the left edge of the notch



Right-angled 45° assembly



Rotated at 45° : Alignement going through
the edge of the template and the right edge of the notch.



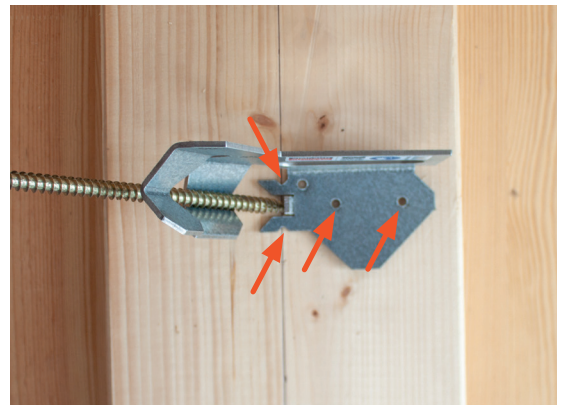
Installation steps:

1. Manually place the screw at the required location. Embed the point of the screw into timber slightly to prevent screw from sliding.



2. Position the screw guide on the element to be fixed. The guide is equipped with several geometrical marks which allow you to make your skewed installations with a 45° angle as well.

Optional: The guide can be temporarily fixed on the support with Ø5 mm screws to stabilize it before inserting your Ø8 mm to Ø12 mm screws.



(example of a 90° installation)

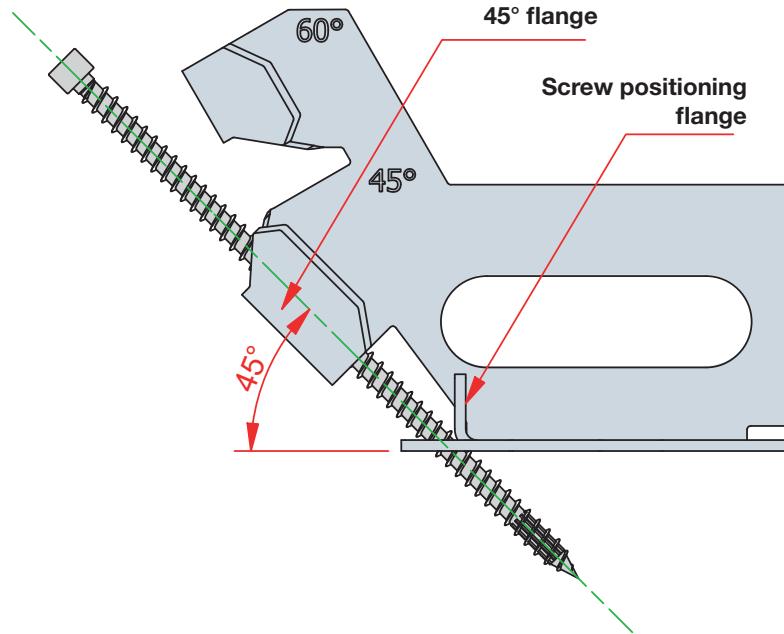
3. Place the screw in the guide at the required angle, 45° or 60°.



4. Fasten the screw with a screwdriver. Make sure that the tip of the screw is touching the screw guide and that the threaded part is resting in either the 45° or 60° flange to get the most precise angle.



45° fixing



60° fixing

